

Technical Data Sheet
 Eppendorf Cell Culture Plate, 6-Well
 English (EN)

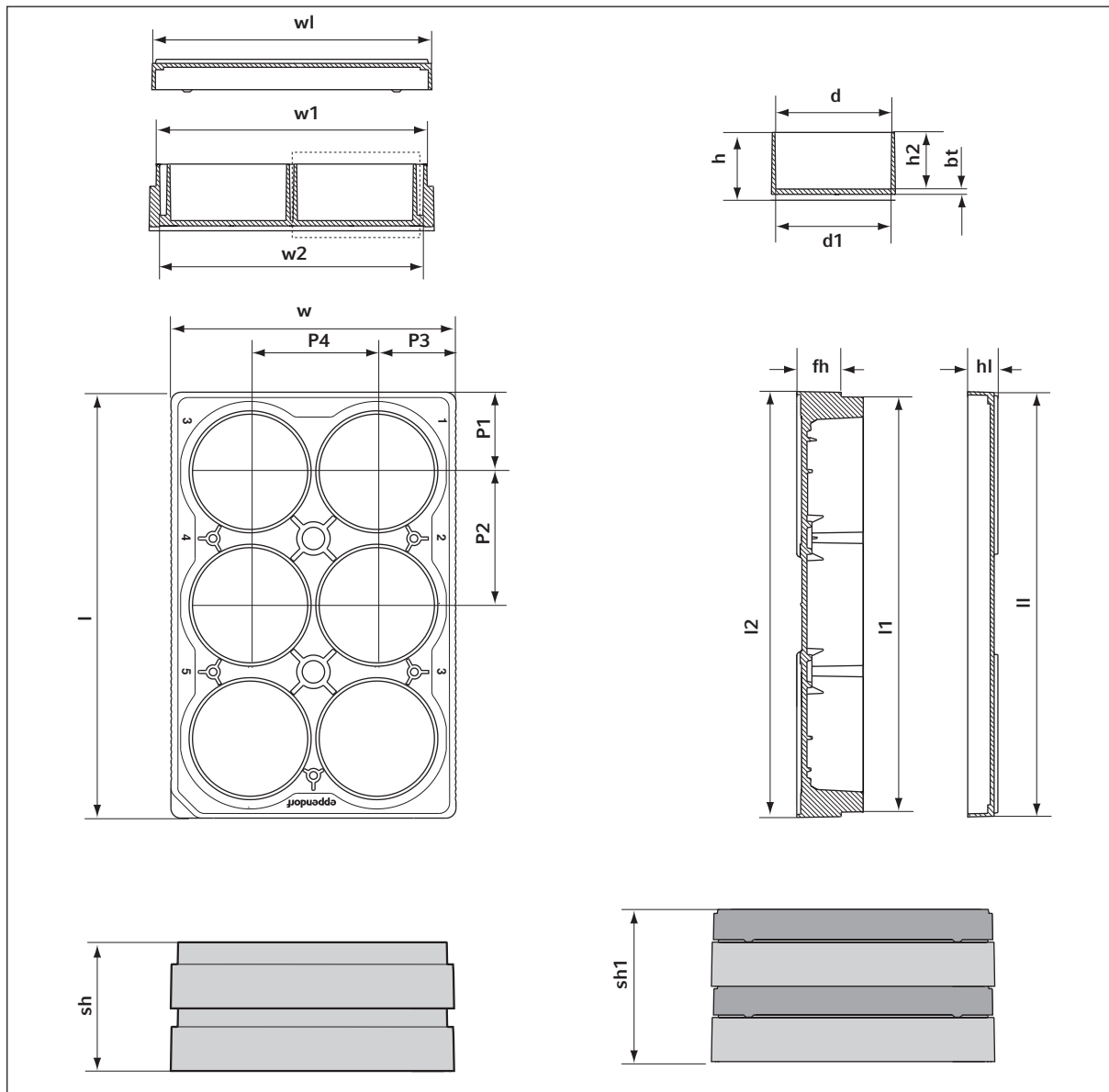


Plate dimensions [mm]

Length			Width			Height	
l	l1	l2	w	w1	w2	h	fh
127.8	124.4	125.3	85.5	81.0	81.9	20.0	13.3

Well dimensions [mm]

Diameter	Depth	Thickness
d	d1	h2
35.0	34.6	17.0

Positions of well center [mm]

Positions			
P1	P2	P3	P4
23.9	40.0	23.7	38.0

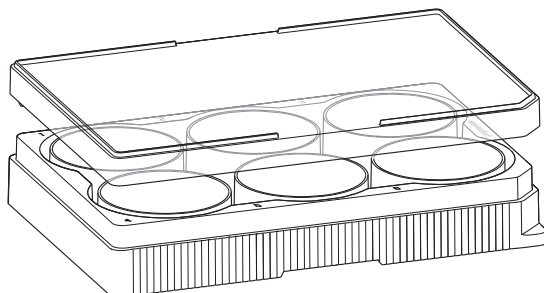
Stack height [mm]

without lid (sh)	with lid (sh1)
38.7	45.0

Lid dimensions [mm]

Height (hl)	Width (wl)	Length (ll)
9.1	84.3	127.6

Technical Data Sheet
Eppendorf Cell Culture Plate, 6-Well
English (EN)



Description	Eppendorf Cell Culture Plate, 6-well 0030 720.113: with tissue culture treated surface 0030 720.121: with tissue culture treated surface 0030 720.016: with non-treated surface	
Dimensions	Plate with lid: 127.8 x 85.5 x 23.2 mm (l x w x h)	
Weight	Plate 42 g, lid 20 g	
Filling volume	Working volume/well: 3.0 mL/well to 5.0 mL	
Growth area	940.3 mm ² /well	
Material	Polystyrol, meets USP Class VI specifications	
Color	Transparent	
Operating temperature	-86 °C to +60 °C	
Autoclavable	—	
Centrifugability	Can be centrifuged up to 2500 x g. When arranged in a stack (4 plates) can be centrifuged up to 300 x g*.	
Shelf life	5 years	
Packing unit	Pcs/bag: 0030 720.113 and 0030 720.016: 1 plate/bag 0030 720.121: 10 plates/bag	Pcs/case: 0030 720.113 and 0030 720.016: 60 Pcs/case 0030 720.121: 200 Pcs/case
Lot-specific certificates	Sterility: Sal 10 ⁻⁶ (according to ISO 11137-2:2007) Pyrogens: <0.001 EU/mL (according to Ph. Eur. 2.6.14) RNase: <10 ⁻⁹ Kunitz units DNase: <10 ⁻⁶ Kunitz units Human DNA: <2 pg Bacterial DNA: <50 fg Tissue culture surfaces tested by cell growth.	
Certificates of quality	Quality Assurance of surface properties: Products are non-cytotoxic according to DIN EN ISO 10993-5. Products are produced in a class 7 clean room environment according to ISO 14644-1 and EG-GMP Class C. Products conform to ANSI/SLAS 1-2004. Material suppliers of Eppendorf do not use or intentionally incorporate slip agents, biocides, plasticizers, bisphenol A, latex, antistatic agents, metallic dyes or mineral oil in the materials Eppendorf uses for the production of Eppendorf Cell Culture Consumables.	
Eppendorf Quality Management	ISO 9001/13485/14001	

*The centrifugation stability of each plate type generally depends on the centrifuge and its accessories, the ambient conditions and the liquid used.

Your local distributor: www.eppendorf.com/contact
Eppendorf AG · 22331 Hamburg · Germany
eppendorf@eppendorf.com · www.eppendorf.com